

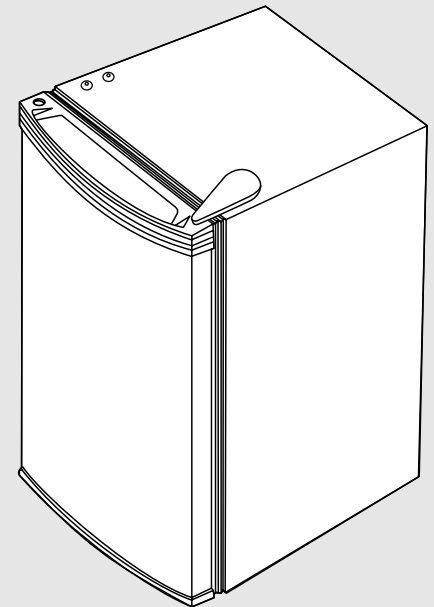


# REFRIGERATOR

## INSTRUCTION MANUAL

Model No.

**PCF1700ACW / PCF2700ACW / PCF4400ACW**  
**PCF1700ACB / PCF2700ACB / PCF4400ACB**

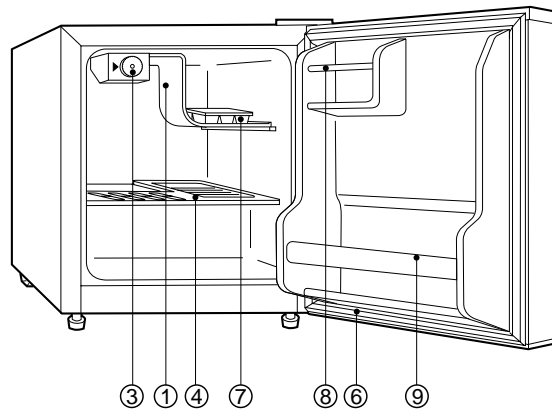


Thank you for selecting this refrigerator.  
Before using this refrigerator, please read this manual carefully.

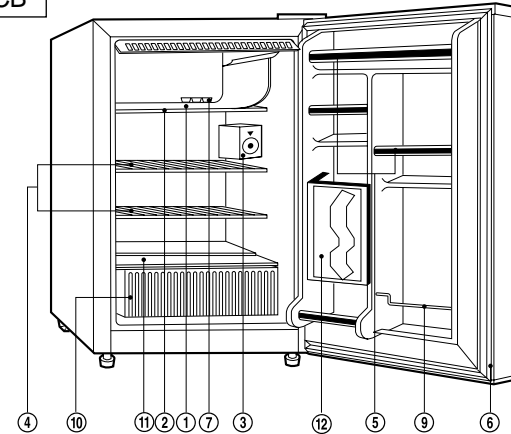


# NAMES OF THE PARTS

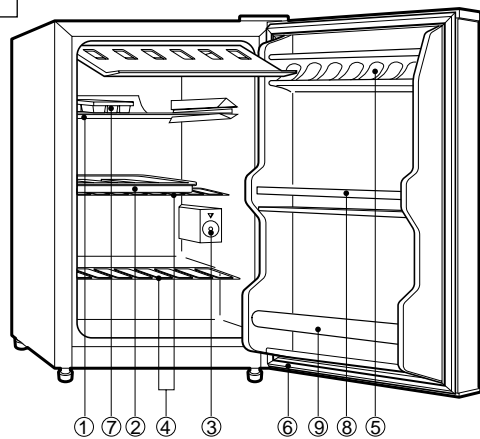
■ PCF1700ACW  
■ PCF1700ACB



■ PCF4400ACW  
■ PCF4400ACB



■ PCF2700ACW  
■ PCF2700ACB



## 1. EVAPORATOR

The heart of the refrigerator.

It evaporates the refrigerant fluid and thereby absorbs heat from the surrounding. Made of pure aluminum.

## 2. DRAIN PAN (Use of Defrost Only)

Discards the water that drips of the evaporator when defrosting.

## 3. CONTROL BOX :

Regulates the operation of the motor and controls the inside temperature of the refrigerator.

## 4. SHELF Has full width and can slide out.

## 5. RACK For butter and small size goods.

## 6. MAGNETIC DOOR SEALS

Keeps the refrigerator virtually airtight all along the edge, but is nevertheless easy to open.

## 7. ICE CUBE TRAY Ice cubes are easy to remove from the tray.

## 8. USABLE RACK for cans or jars.

## 9. BOTTLE RACK for bottles, cans or jars.

## 10. CRISPER for vegetables and fruits.

## 11. SLIDE OUT CRISPER COVER.

## 12. CAN DISPENSER

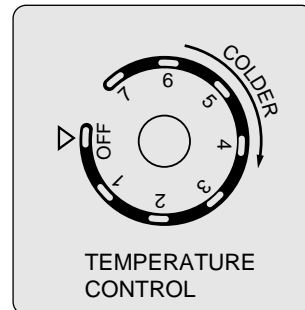
## HOW TO OPERATE

### Starting your new Refrigerator

1. Clean the refrigerator thoroughly. Wipe the outside with a soft dry cloth, the inside with a damp cloth.
2. Keep the door open and insert the power supply cord into the socket.
3. Turn the thermostat dial to "7". Close the door and let the refrigerator operate for 15-20 minutes.  
The freezer should then show some traces of frost.

### Temperature control

You can control the inside temperature by turning the thermostat dial. Higher numbers mean greater cooling power, smaller numbers mean less cooling power. To make ice cubes in the freezer compartment, set the dial to "7". The dial does not have to be set exactly on the numbers, but can be any place in between.



**NOTE:** Wait 3 to 5 minutes before restarting if you unplug the machine. Unit may fail to operate properly if restarted too quickly.

### How to defrost

Defrost the refrigerator when the frost accumulated on the evaporator is about 5mm(1/5inch) thick.

Set the thermostat dial to "OFF". Remove foods. Keep drip tray in place. Defrosting usually takes a few hours. To defrost quickly remove all foods from the refrigerator and leave door open. Never use a knife or other metal instrument to remove ice/frost from the evaporator. After defrosting empty water from drip tray, return the thermostat dial to the desired position to start refrigerating again.

## HOW TO CLEAN

**Cleaners:** The cleaners noted below are available. Never use harsh, abrasive cleaners, heavy-duty cleaners, or solvents on any surface.

**Exterior:** Wipe with damp, sudsy cloth, rinse and dry. For stubborn stains and for periodic waxing, use silicon wax.

**Evaporator:** When refrigerator needs defrosting turn thermostat dial to "OFF". Do not use sharp instruments.

**Refrigeration Section:** Wash shelves and other removable parts in warm sudsy water, rinse and dry. Wash interior with baking soda solution (3 table spoons to one quart of water) or warm sudsy water, rinse and dry.

**Magnetic Door Seals:** Wash with warm sudsy water.

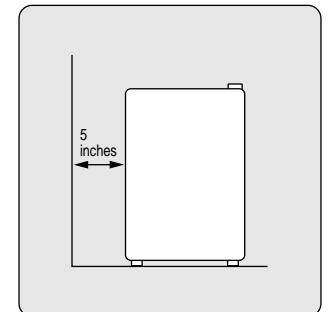
**The Finishing Touch:** Replace all parts and return thermostat dial to desired setting.

## HOW TO INSTALL

Install refrigerator in a convenient location away from extreme heat and cold. Allow sufficient clearance between the refrigerator and side wall so the door will open for a fully usable interior. Refrigerator is not designed for recessed installation.

Select a place with strong level floor.

Allow 5 inches of space between the refrigerator's side and the wall.



## WHAT TO DO...

### 1. When out of operating for a long time:

- Remove the power supply cord.
- Dry your refrigerator opening the door for 2-3 days.

### 2. When you get ready to move:

- Securely fasten removable interior parts (or move and package them separately)
- Do not lay your refrigerator horizontally, or compressor may be damaged.

**When you need service: Before you call for service make sure you need it, check a few things noted below for yourself first.**

### If refrigerator is not operating:

- Is the power supply cord unplugged?
- Is home fuse blown or circuit breaker off?

### If refrigerator is warmer than usual:

- Has the door been open frequently or for a long period?
- Is refrigerator overcrowded-preventing good air circulation?
- Is the hot thing stored without cooling?
- Is the clearance between refrigerator's side and the wall allowed sufficiently?

### If there are unusual sounds:

- Is refrigerator placed on the level?
- Are foreign objects behind the refrigerator?
- Are dishes on refrigerator shelves vibrating?  
If so, rearrange the dishes.

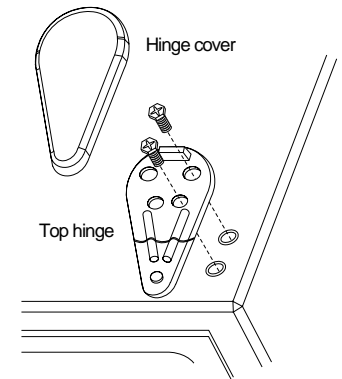
If the supply cord is damaged, it must be replaced by the manufacturer or its service agent or a simmilary qualified person in order to avoid a hazard.

## CHANGING THE REVERSIBLE DOOR

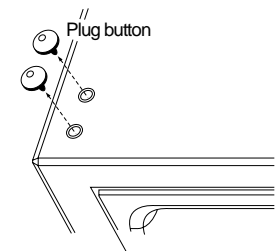
This refrigerator has been built with the door hinges on the right. If you wish to change the opening direction, follow the instruction below:

- Unplug the refrigerator from its electrical outlet.
- Empty everything in the refrigerator, including shelves, food, etc.

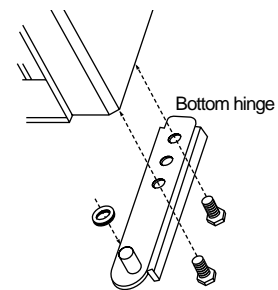
1. Remove the hinge cover on the right top of the cabinet.
2. Remove the two screws (using a ratchet tool with a 8MM socket) that hold the top hinge to the cabinet. Keep these screws for later use.
3. Lift the top hinge straight up to free the pin from the socket on the top of the door.
4. Lift the door and place it on a padded surface to prevent scratching it.



5. Remove the plug buttons from the upper left holes as illustrated and transfer them to the uncovered holes at the right side. Be sure to press the plug buttons firmly into the holes.



6. Lay the cabinet on its side down on the floor. Remove the two screws that hold the bottom hinge to the cabinet using a 10MM socket. Keep these screws and washer for later use.





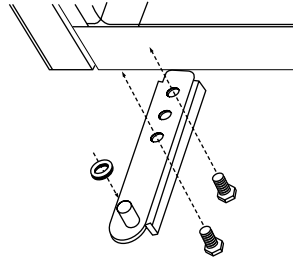
## Warranty & Service

7. Insert the bottom hinge at the left side using the two screws previously removed in step 6.

**NOTE:** Do not tighten screws.

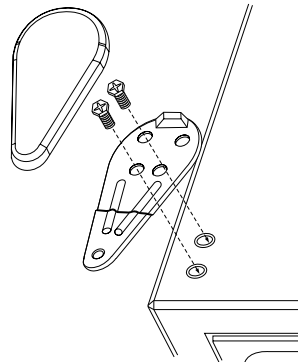
8. Stand the cabinet.

9. Replace the door making sure the bottom socket enters the bottom hinge pin.  
Be sure washer is in place.



10. While holding the door in the closed position, secure the top hinge at the left side using the two screws previously removed at the beginning in step 2.  
Do not tighten the screws until the top of the door is leveled with the top cabinet.

11. Replace the hinge cover.



12. Tools required:  
-8MM & 10MM socket-ratchet.  
-Putty knife or thin-blade screwdriver.

### Warranty

#### Full One Year Warranty - Parts and Labor

**One (1) year** - From the original retail purchase date, any part which fails in normal home use will be repaired or replaced free of charge.

**Ice Maker** - When purchased with the refrigerator and installed by the dealer, the ice maker will be considered part of the refrigerator for warranty purposes.

#### Limited Warranty - Major Refrigeration Components

**Second Through Fifth Year** - After the first year from the date of original purchase, through the fifth year, the manufacturer will repair or replace, at its option, free of charge for parts and labor, any part of the sealed refrigeration system (consisting of the compressor, evaporator, condenser, drier and connecting tubing) and the cabinet liner (exclusive of the door liner) which fail in normal home use. All other costs, including mileage, transportation, trip charge and diagnostic charge, if required, shall be the responsibility of the owner.

#### Note

The full warranty and the limited warranties apply when the refrigerator is located in the United States or Canada. Refrigerators located elsewhere are covered by the limited warranties only including parts that fail during the first year.

#### Limitations of Liability

The warrantor shall not be liable for any incidental or consequential damages, including food loss. Some states do not allow the exclusion or limitation of consequential damages, so the above limitation or exclusion may not apply to you.

The specific warranties expressed above are the **ONLY** warranties provided by the manufacturer. These warranties give you specific legal rights, and you may also have other rights which vary from state to state.

### What is Not Covered By These Warranties:

- Conditions and damages resulting from any of the following:
  - Improper installation, delivery, or maintenance.
  - Any repair, modification, alteration, or adjustment not authorized by the manufacturer or an authorized service.
  - Misuse, abuse, accidents, or unreasonable use.
  - Incorrect electric current, voltage, or supply.
  - Improper setting of any control.
- Warranties are void if the original serial numbers have been removed, altered or cannot be readily determined.
- Light bulbs.
- Products purchased for commercial or industrial use.
- The cost of service or service call to:
  - Correct installation errors.
  - Instruct the user on the proper use of the product.
  - Transport the appliance to the service.
- Consequential or incidental damages sustained by any person as a result of any breach of these warranties. Some states do not allow the exclusion or limitation of consequential or incidental damages, so the above exclusion may not apply.

### If You Need Service

- Call the dealer from whom your appliance was purchased or call Maytag Services™, Attn: CAIR® Center at 1-800-688-1120 U.S.A. and Canada, to locate an authorized service.
  - Be sure to retain proof of purchase to verify warranty status. Refer to WARRANTY for further information on owner's responsibilities for warranty service.
  - If the dealer or service company cannot resolve the problem, write to Maytag Services™, Attn: CAIR® Center, P.O. Box 2376, Cleveland, TN 37320-2370 or call **1-800-688-1120 U.S.A. and Canada.**
- U.S. customers using TTY for deaf, hearing impaired or speech impaired, call 1-800-688-2080.

#### Note

- When writing or calling about a service problem, please include the following information:
  - Your name, address and telephone number;
  - Model number and serial number;
  - Name and address of your dealer or service;
  - A clear description of the problem you are having;
  - Proof of purchase (sales receipt).